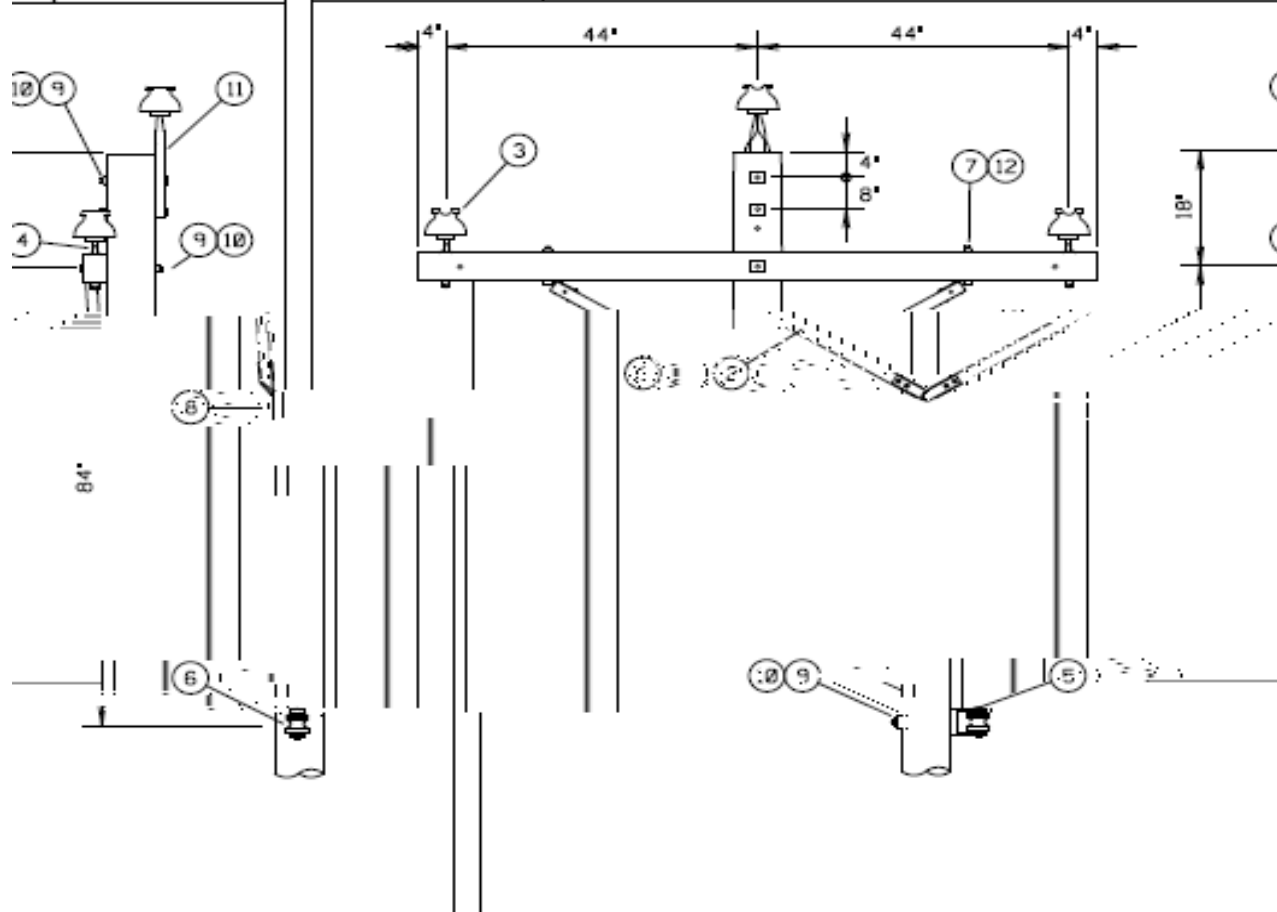


ApprenticeEvent- Equipotential Grounding

Mean Time: 9 Minutes

Drop DeadTime: 16Minutes

The apprentice will be required to



SECTION OF THIS MANUAL.

NOTES:
 A. GROUNDING DETAILS CAN BE FOUND IN THE GROUNDING SE
 B. IN COASTAL AREAS USE INSULATOR #022-220125

DESCRIPTION	ITEM ID NO.
1/2" MCH. 3/8" x REQ'D	
1/2" x 2" SQ. 1/16" HOLE	070-181964
STEEL POLE TOP	072-185252
1/2" x 2" SQ. 3/16" HOLE	070-181961

ITEM	QTY.	DESCRIPTION	ITEM ID NO.	ITEM	QTY.	
1	1	CROSSARM, 4" X 5" X 8'	562-203119	9	4	BOLT
2	2	BRACE, WOOD CA 60'	563-209104	10	5	WASH
3	3	INSULATOR, PIN TYPE	022-220134	11	1	PIN,
4	2	PIN, STEEL INS. 3/8" x 6 1/2"	072-185224	12	3	WASH
5	1	CLEVIS, SEC.	071-229174			
6	1	INSULATOR, SEC. SPOOL	023-225102			
7	2	BOLT, MCH. 1/2" X 7"	070-181436			
8	1	SCREW, LAG 1/2" X 4 1/2"	070-181866			GROUNDING MA
10	1-14	CORRECT LAG SCREW	TLA TLA			
11	1-10	ADD ITEM NUMBERS	TLA TLA			

TERJAL - SEE GROUNDING SECTION

ANGLE PRIMARY SUPPORT
 0603 PM - 001053 101111
 TRIANGULAR BRACING

SI
 00

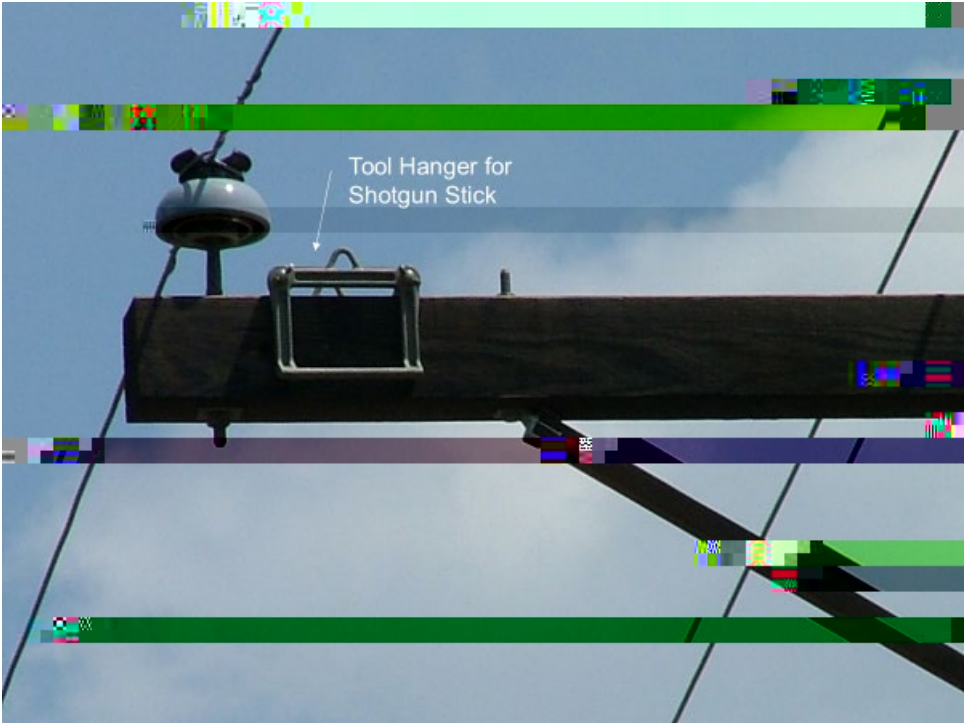
Personal Protective Grounding

Eye Nut will be here

Grounding Bar will be positioned

Grounding Bar





Tool Hanger for
Shotgun Stick